

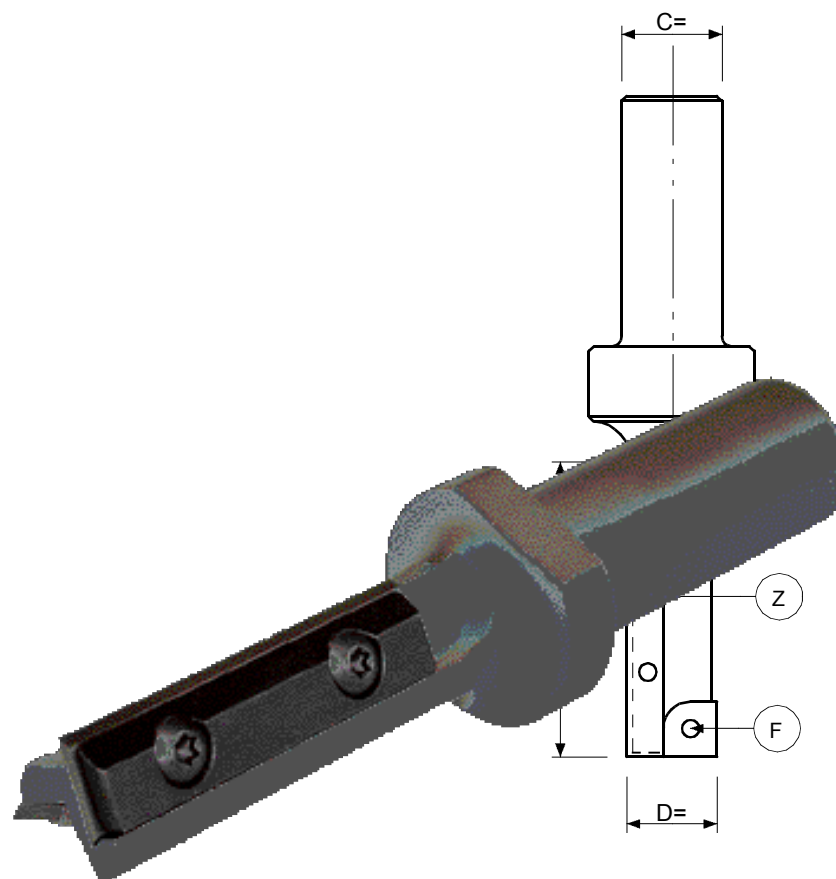
Fresa per pantografo con coltelli reversibili in HM standard.

Router bit for pantograph with reversible knives, HM standard.

Porte outils à couteaux réversibles en HM.

Bohrer für Oberfräser mit umkehrbaren Messern, HM Standard.

Broca para pantografo con cuchillas descartables standard en MD.



CODICE Fresa Routers Fraises	CODICE Coltelli Z Knives Z Couteaux Z	CODICE Coltelli F Knives F Couteaux F	Ø D =	B =	C =	Z =	V =	N° max
2108.163	5000.011	2108.518	16	25	20	1	1	18.000
2108.165	5000.033	2108.518	16	50	20	1	1	18.000
2108.166	5000.035	2108.518	16	60	20	1	1	18.000
2108.183	5000.011	2108.518	18	25	20	1	1	18.000
2108.185	5000.033	2108.518	18	50	20	1	1	18.000
2108.186	5000.035	2108.518	18	60	20	1	1	18.000
2108.203	5000.011	2108.520	20	25	20	1	1	18.000
2108.205	5000.033	2108.520	20	50	20	1	1	18.000
2108.206	5000.035	2108.520	20	60	20	1	1	18.000
2108.223	5000.011	2108.522	22	25	20	1	1	18.000
2108.225	5000.033	2108.522	22	50	20	1	1	18.000
2108.226	5000.035	2108.522	22	60	20	1	1	18.000